

PRODUCT BULLETIN

Type: Information

Bulletin Number IB 2020008

Subject: Extra maintenance Lorrca

Date: April 2020

From: Support department

Number of pages: 2

Phone: +31 229 291 129

Instruments:

For all Lorrca instruments.

Maintenance:

Due to the COVID-19 pandemic, Lorrca testing in your laboratory might be reduced.

- Low amount of tests

When running a low amount of Lorrca tests these days, we advise to continue the cleaning maintenance (End-of-day wash) on all Lorrca instruments at least ones a day.

- Temporary storage

In case you do not conduct Lorrca measurements at all for the time being, you can temporarily put the Lorrca away using the procedure as described in the Lorrca Maxsis User Manual version 5.04 Section 10.10.6 (page 184) "Preparation for long time inactivity".

Reason:

Continued End-of-Day Wash during periods of less intensive use of the Lorrca instrument is to prevent the tubings from becoming clogged or sticky due to dried solutions. By performing this cleaning maintenance frequently, you will ensure that the instruments function without errors when periods of more testing recur.

For the temporary storage of Lorrca instruments, the tubings are thoroughly cleaned and dried to eliminate the presence of dried solutions.

Impact on

Quality / validity of results: No

Reliability of the instrument: Yes

Safety of the instrument: No

Effective from:

Immediately.

Compatibility:

N/A

Is field modification possible?

N/A

Order information:

N/A

Notes on stock and obsolescence:

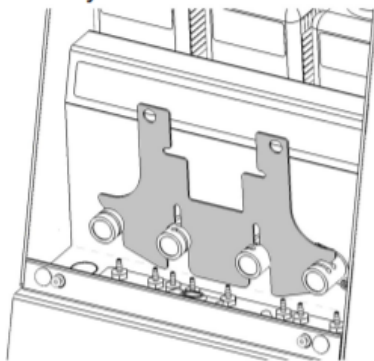
N/A

Additional information:

10.10.6. Preparation for long time inactivity

In case of long-time inactivity or temporary storage:

1. Perform a End-of-day-wash to clean all tubing.
2. Disconnect tubing from bottles except the waste line.
3. Perform a prime all and a cup rinse step to empty all tubing.
4. Clean the outside of the instrument carefully as prescribed.
5. Remove all liquid bottles, discard or store the contents.
6. Remove all tubes from the pinch valves, the tubes could stick (due to reagents). Place shim in the normally closed section of the valves.



7. Unlock the tube cassettes of the gradient pump to relief the the tubing.

If you have questions do not hesitate and send your email to support@rrmechatronics.com